

AMB200 low voltage bus temperature measuring device

bar connector temperature measuring device Wiring flexible and convenient



Parameter

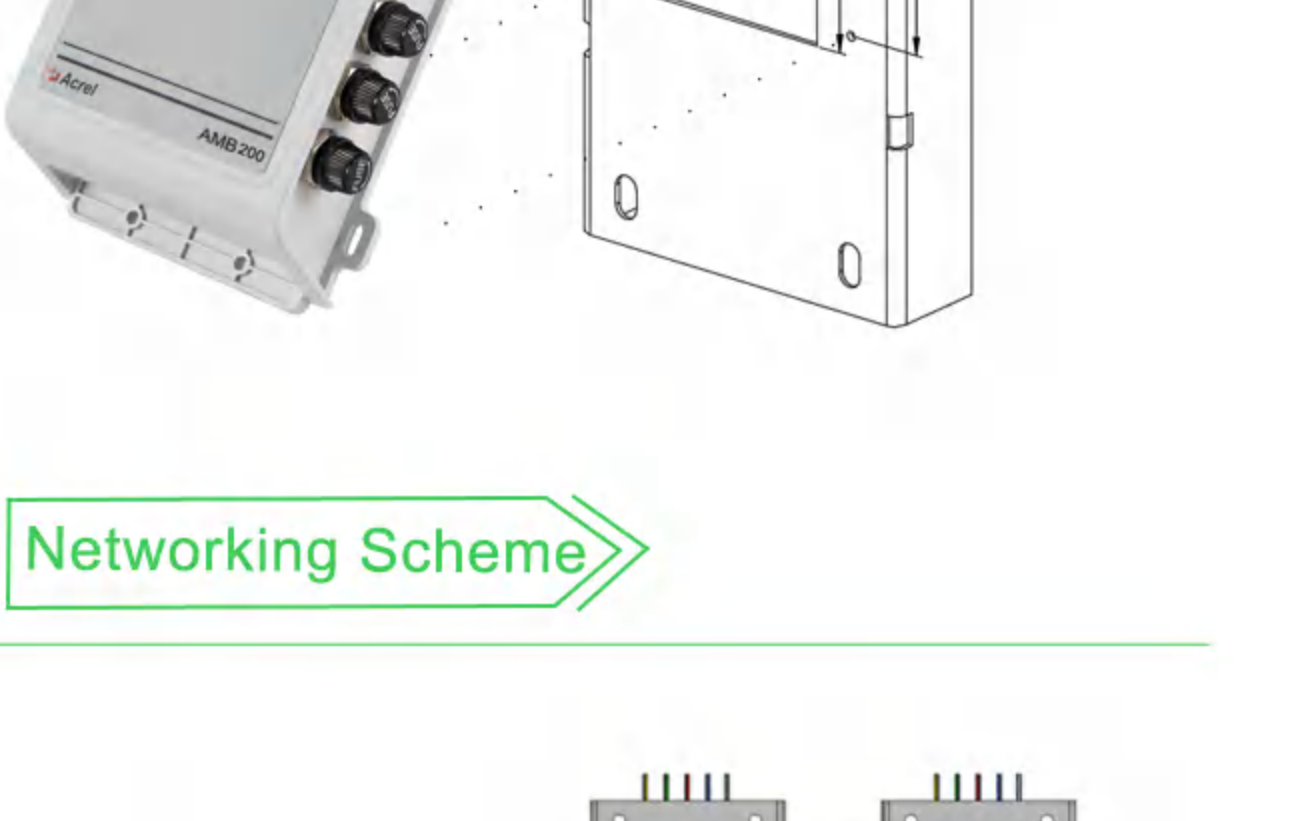


Model	AMB200
Auxiliary Power	Built-in probe to take power(AC/DC85-265V)
Measuring Function	4 channels temperature、humidity
Measuring Range	-20℃~200℃
Measuring Accuracy	-20℃~100℃ accuracy ±1%, 101℃~200℃ accuracy ±2%
Communication	RS485/Modbus-RTU or Lora Communication
Installation Method	35mm din rail installation

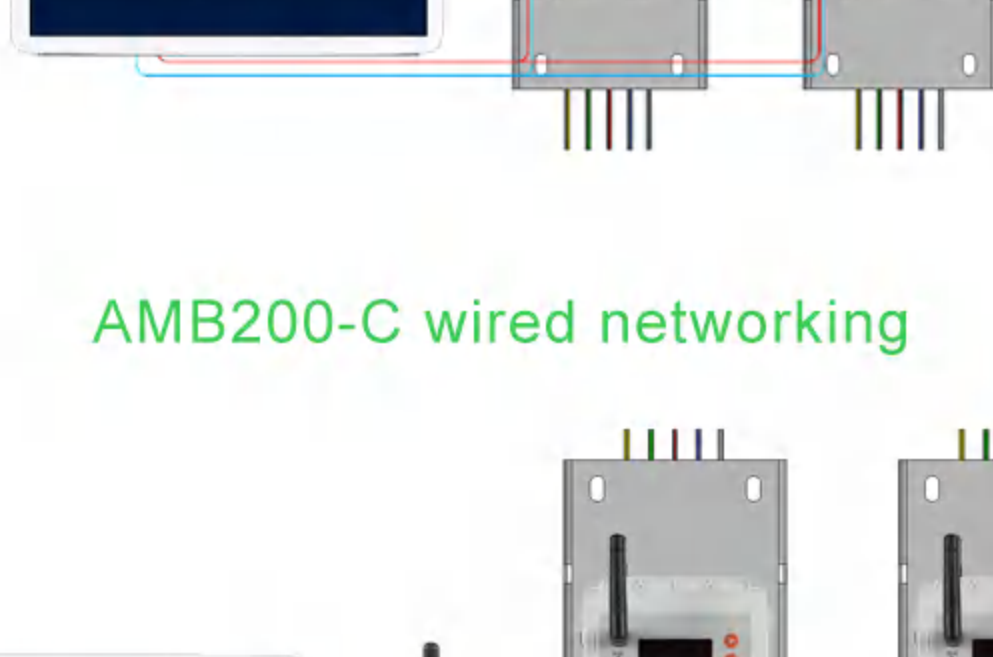
Product Selection

Shape	Model	Basic Function
	AMB200-C	RS485 communication; real-time online measurement of 4 channels of temperature, humidity; infrared communication; early warning and alarm function; display function
	AMB200-LR	Lora communication; real-time online measurement of 4 channels of temperature, humidity; infrared communication; early warning and alarm function; display function

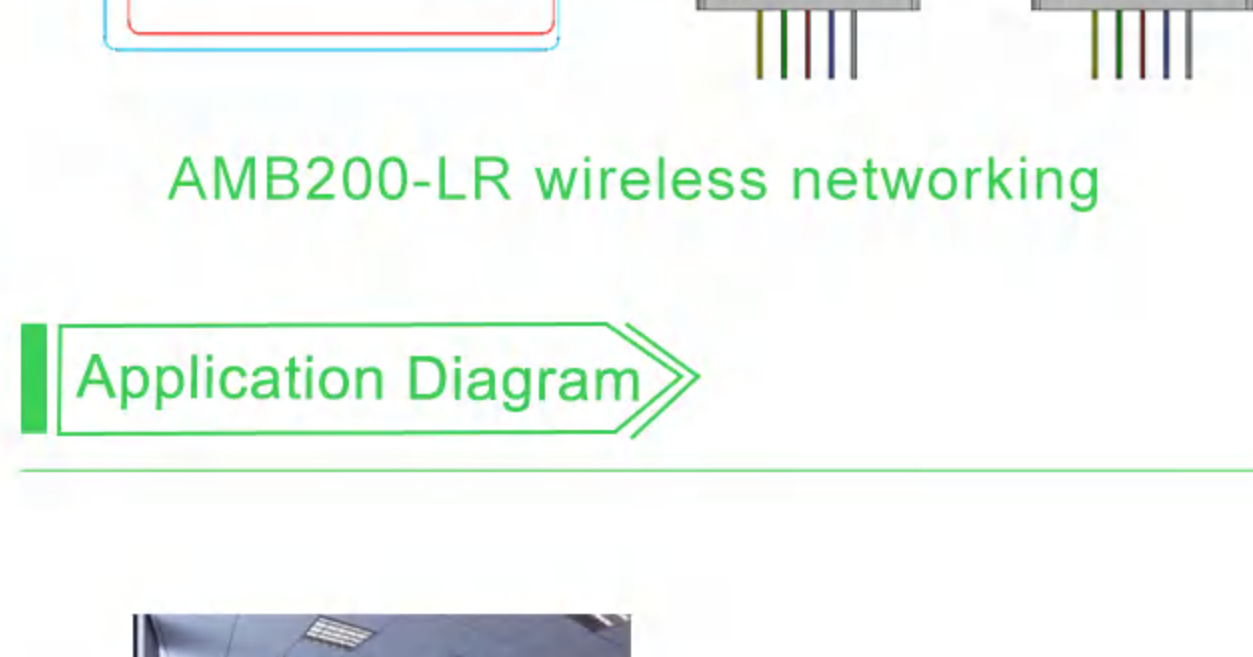
Installation diagram



Networking Scheme

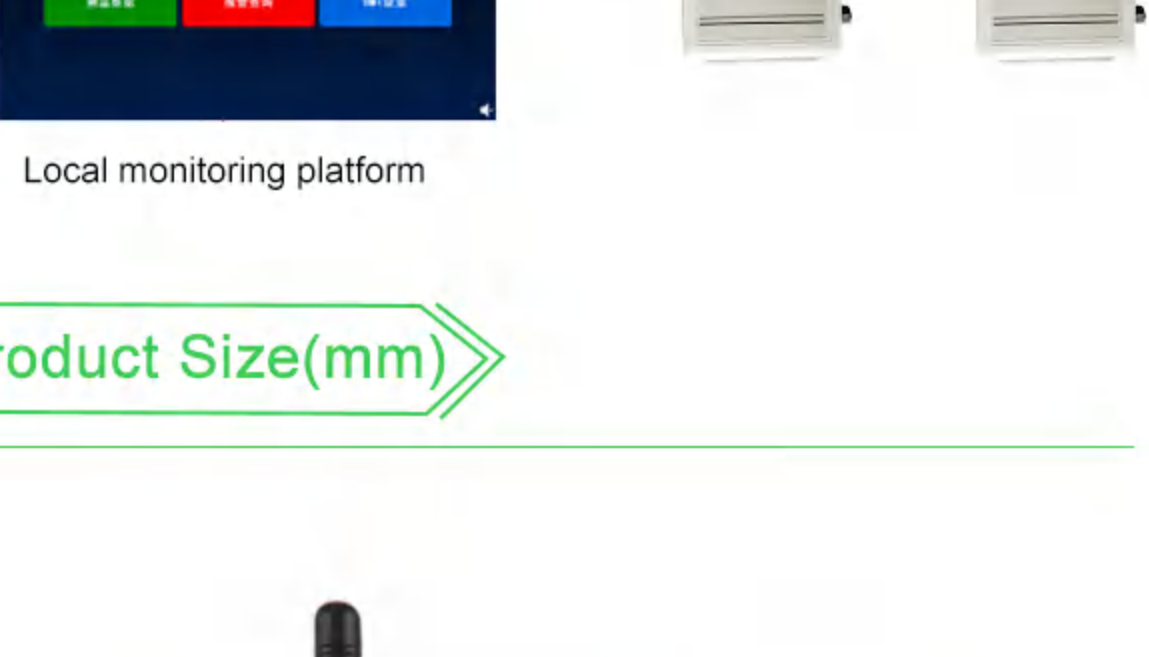


AMB200-C wired networking

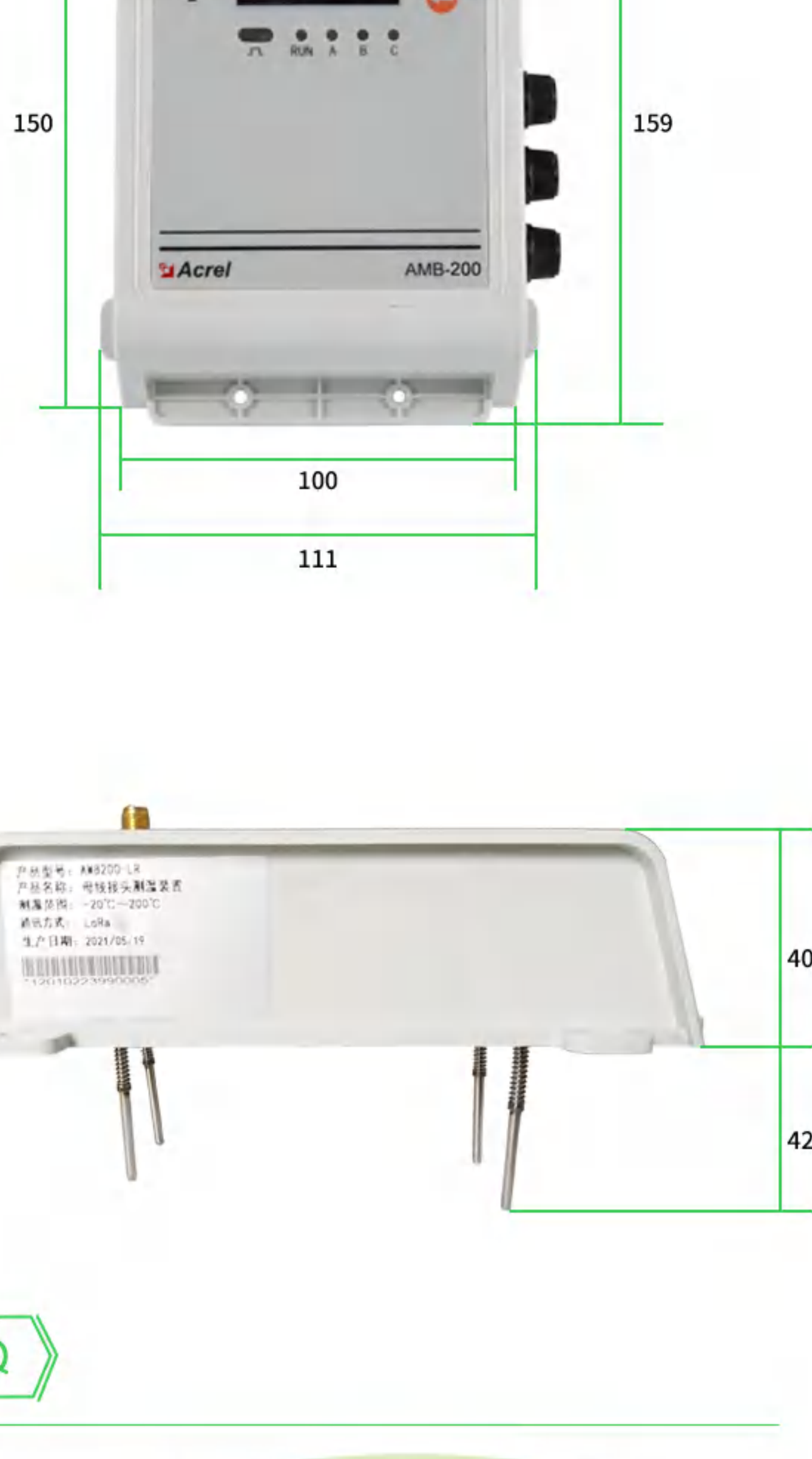


AMB200-LR wireless networking

Application Diagram



Product Size(mm)



FAQ

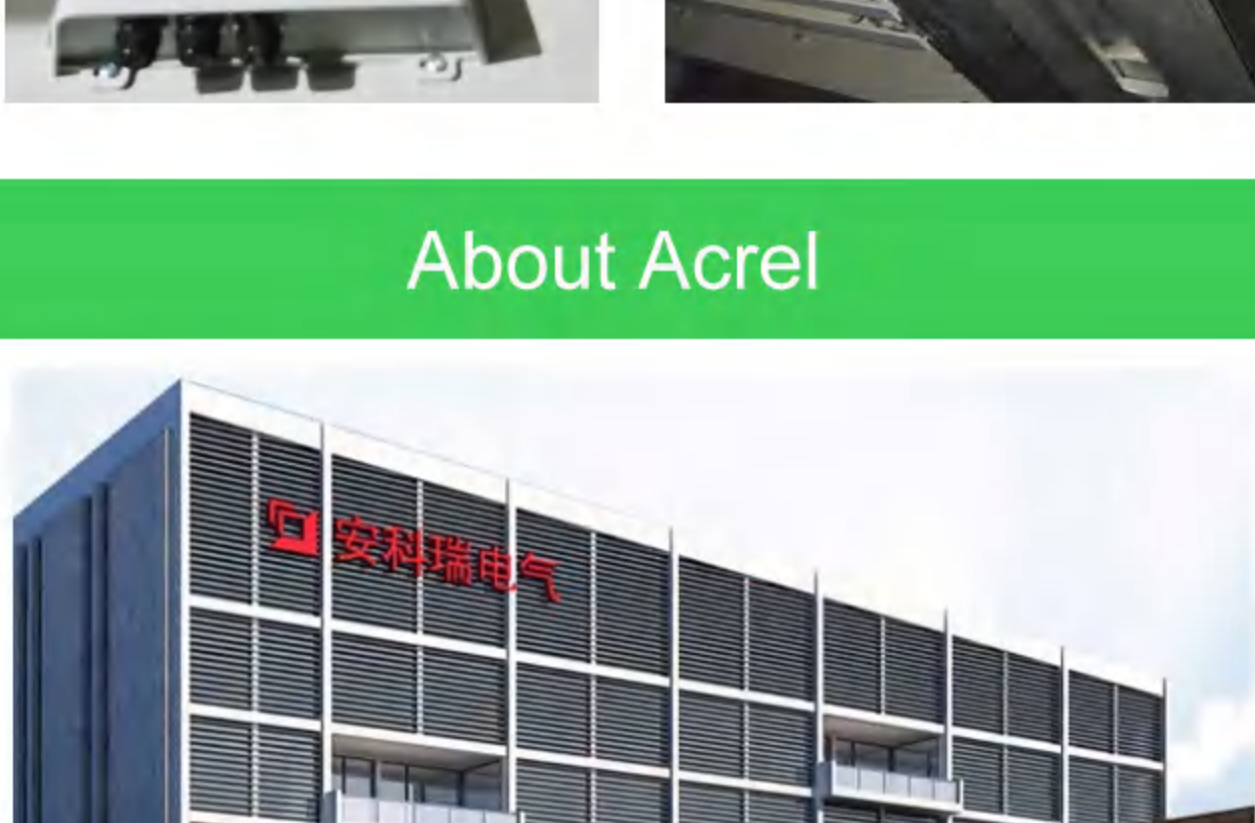
- 1** What should I pay attention to when doing a renovation project?

Although the module supports hot swapping, in order to prevent potential safety hazards, it is recommended that the connector safety plate needs to be opened when the power is off. You can contact the partner manufacturer to provide the relevant bus cover plate.
- 2** What is the temperature resistance of the product?

The pin detection temperature is up to 200 degrees (the insulation layer supports 200 degrees, and the pins are isolated from the module, which does not affect the operation of the module); the working temperature of the module is less than 105 degrees (generally the cover plate will not have such a high temperature, the main source of temperature is the busway and connection temperature at the contact point)
- 3** What should I pay attention to when installing the product on site?

Horizontal pin distance adjustment range: 10-18mm, pin activity length range: 33-43mm; wireless lora communication, open distance 100-200m; there will be a large wall attenuation in the middle, and the communication needs to be tested according to the actual environment; wired support RS485 communication

Photos on Site



About Acrel



Acrel Co., Ltd.[stock code: 300286.sz] is founded in 2003, a high-tech enterprise integrates R&D, production, sales and service, since its establishment, it committed to provide users with energy efficiency management and power security system solutions. Acrel Electric has a complete production line from cloud platform software to sensors. Until now, more than 10,000 sets of various solutions are running all over the country.

Production Workshop

